

## Sink KE - R15

Kitchen Sinks

Code: 2157 840



### DETAILS

Edge/Installation Type Undermount | Easy to fix

---

Material AISI 304 stainless steel

---

Texture Foster brushed

---

Finish Foster brushed

---

Base 80 cm

---

Dimensions 750 x 440 mm

---

Bowl dimension 710 x 400 mm

---

Width 75 cm

---

Built-in hole [View technical data sheet](#)

---

Number of bowls 1 bowl

---

Drainer No

---

Mixer holes No standard holes

---

Standard fittings Fixing hooks, drain, overflow and siphon, boxed packing

---

Waste fitting 3,5" drain

---

Notes: The drilled edge allows installation without the use of brackets. The cabinet side panels do not need to be altered to accommodate the fixing brackets.

---

## FEATURES

Basket 3,5" waste fitting The drain is equipped with a large 3.5" drain, with the practical basket cap that prevents the discharge of solid parts.

---

High thickness 1mm thick steel. A significant thickness, which guarantees the maximum sturdiness and durability.

---

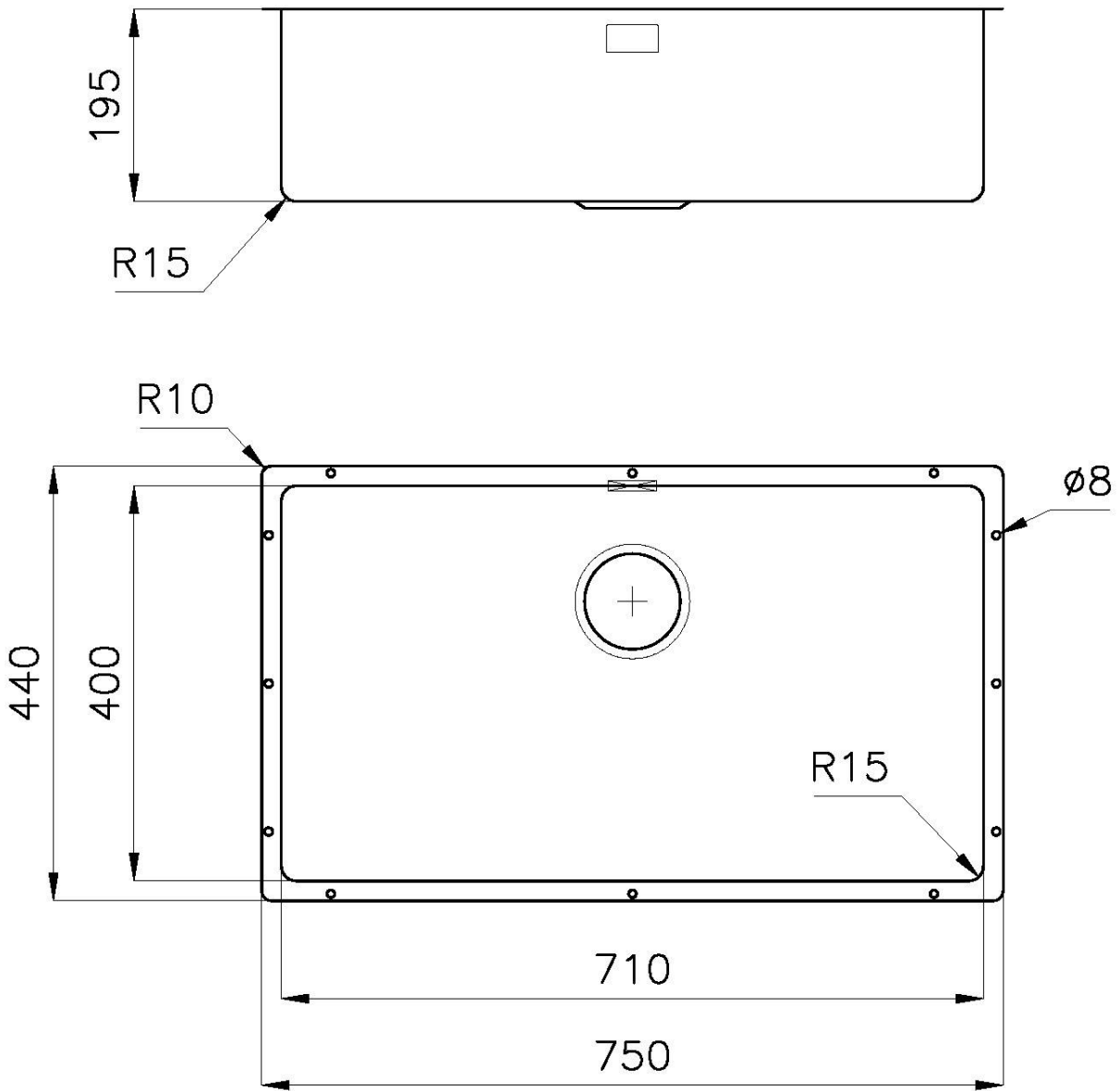
Perimetral overflow The overflow is always a security on the Foster sinks that prevents the overflow of water in case of oversights. The perimeter drain solution improves aesthetics thanks to its square and essential shape.

---

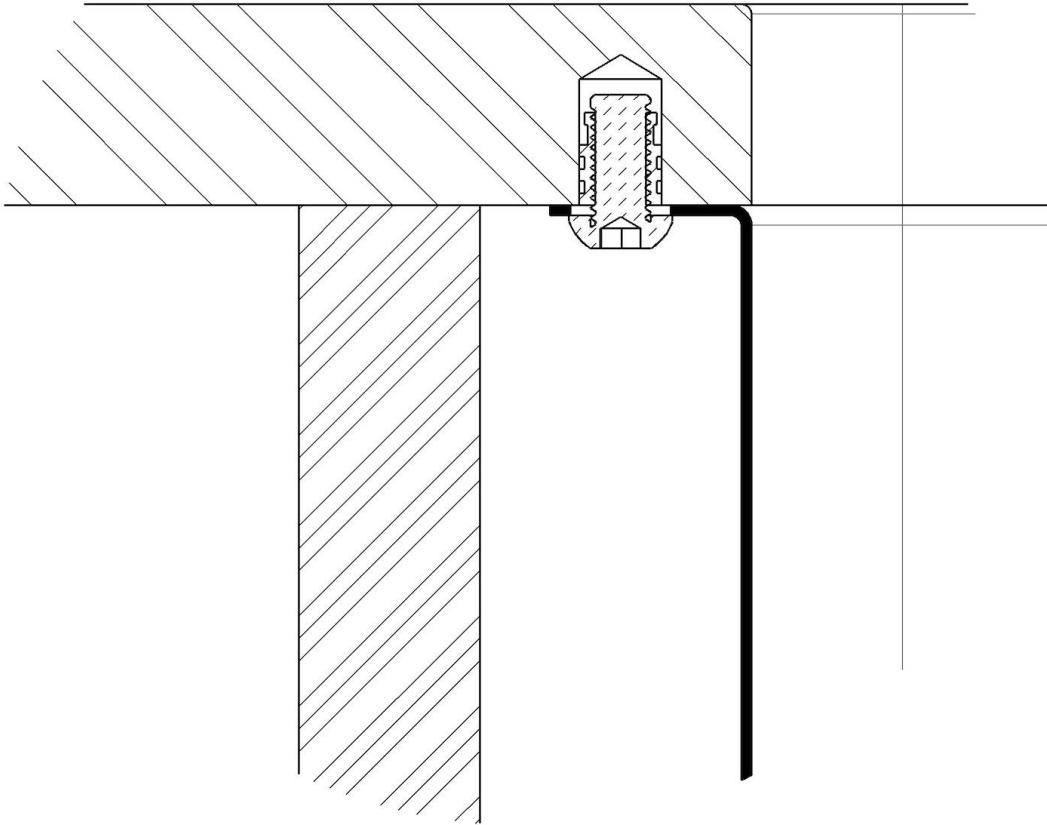
Small radius Bowls with squared shapes with a modern design and an increased capacity, for a minimal aesthetics connected with an extreme practicality.

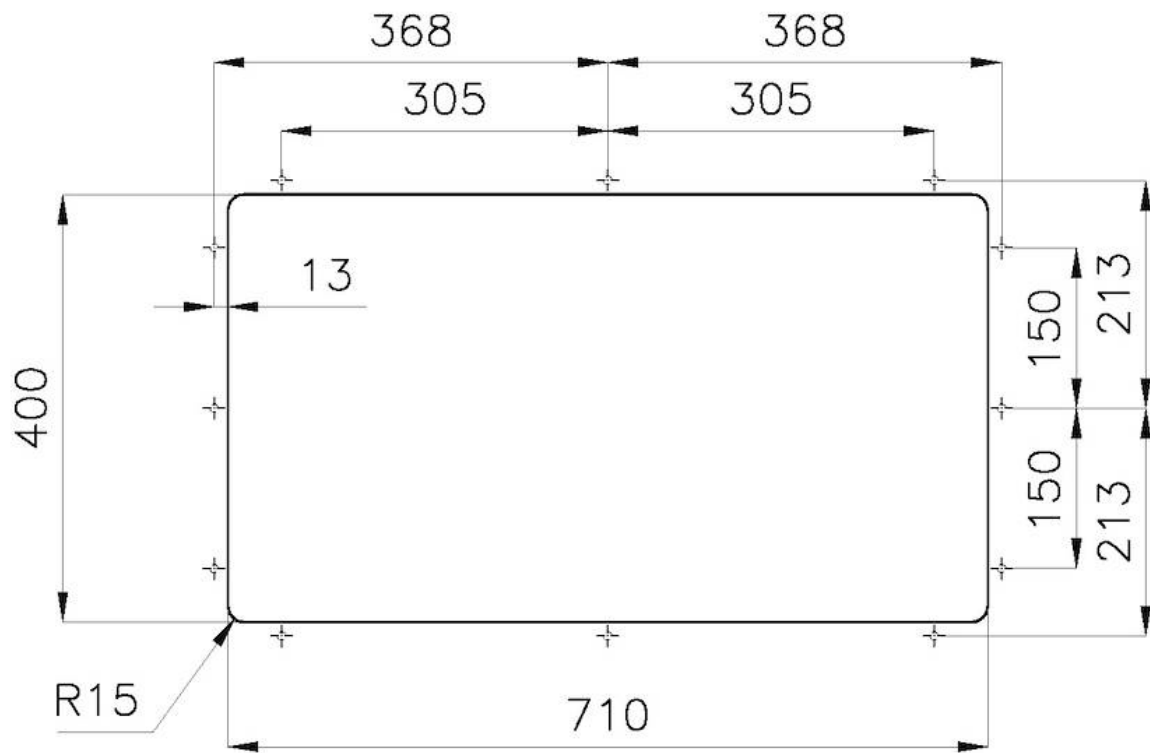
---

## TECHNICAL DATA



## Fissaggio facilitato





## OPTIONAL ACCESSORIES



**Cestello inox**  
8612 000



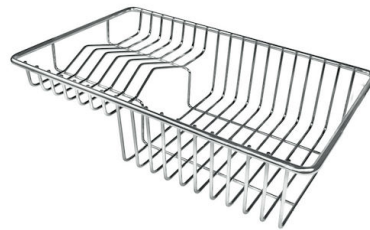
**Glass chopping board**  
8631 300



**HPDE Chopping board**  
8657 001



**HPDE Twin chopping board**  
8644 101



**Stainless steel plate rack**  
8100 303  
\* only in combination with the accessory  
8644 101



**White bowl**  
8153 100



**Black grid**  
8100 617



**Graters kit with ring-holder and  
food collection tray**  
8159 101  
\* only in combination with the accessory  
8644 101



**Griglia Black**  
8100 653



**Iroko-wood sliding chopping board  
with stainless steel colander**  
8644 044



**Stainless steel basket**  
8611 000



**Stainless steel perforated tray**  
8151 000  
\* only in combination with the accessory  
8644 101



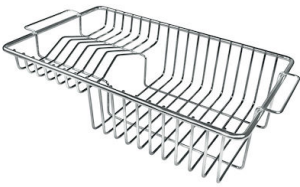
**Stainless steel perforated tray PVD  
Copper**  
8151 008



**Stainless steel perforated tray PVD  
Gold**  
8151 009



**Stainless steel perforated tray PVD  
Gun Metal**  
8151 006



**Stainless steel plate rack**  
8100 201

## RECOMMENDED PAIRINGS



**Mixer Tap Camillo**  
8467 000



**Mixer Tap Lorenzo**  
8466 000

## OPTIONAL AUTOMATIC WASTE FITTINGS



**Automatic waste fitting - PM**  
8407 113



**Space automatic waste fitting - PA**  
8407 108



**Space automatic waste fitting - PE**  
8407 109



**Space Light automatic waste fitting  
- PL**  
8407 117



**Space Push automatic waste fitting  
- PP**  
8407 116